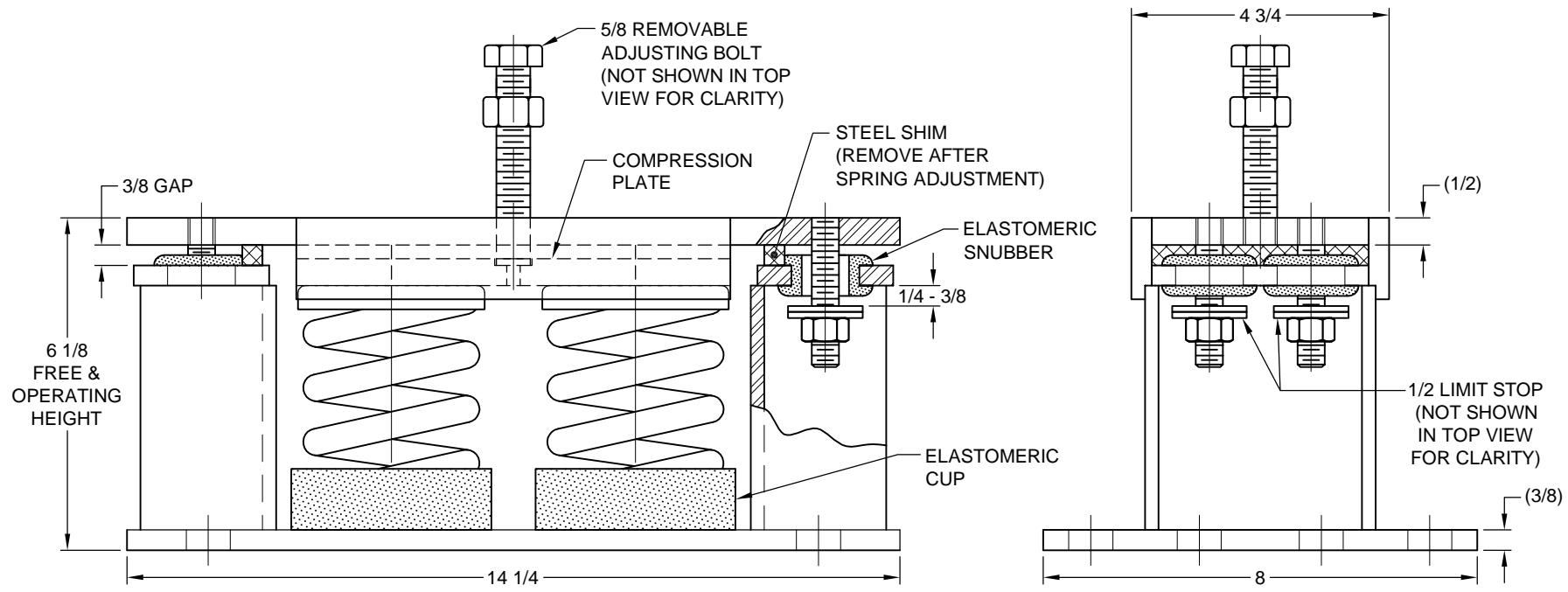
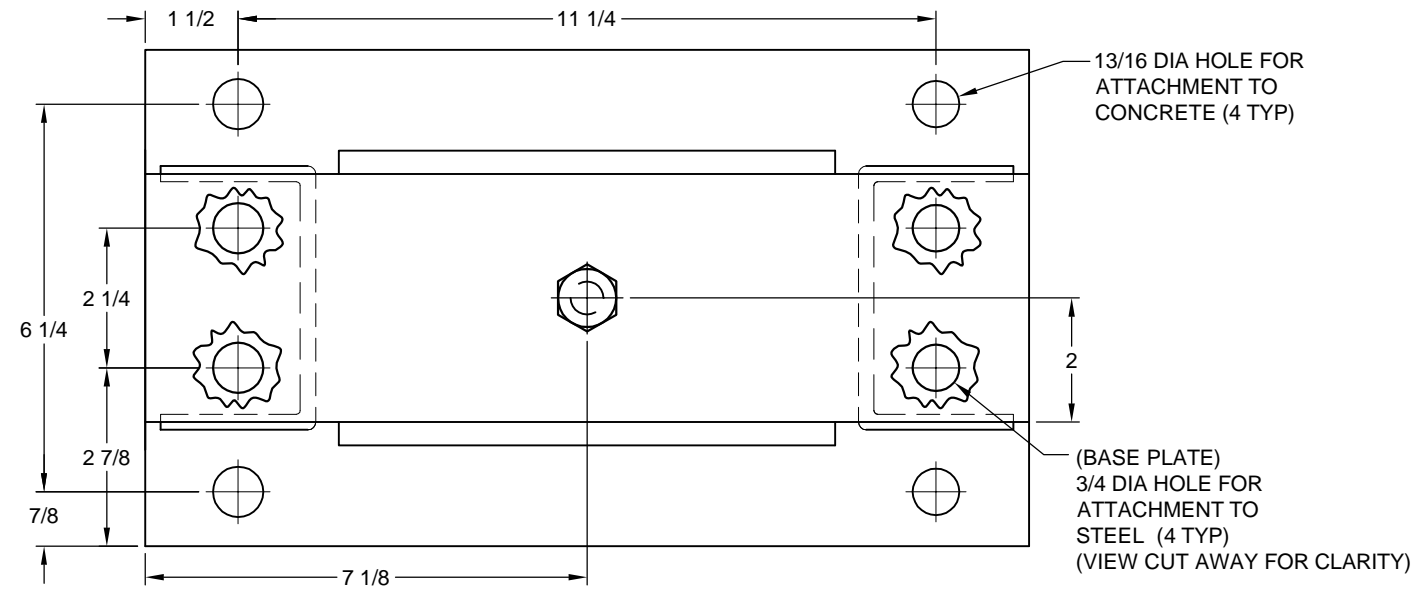
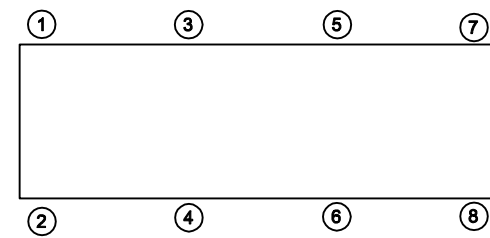


REV.	DESCRIPTION	DATE	BY



MODEL M2SS-1E SEISMICALLY RESTRAINED VIBRATION ISOLATOR FOR 1" DEFLECTION

SEISMIC MOUNT SIZE	RATED LOAD (LBS)	RATED DEFLECTION (IN)	SPRING RATE (LBS/IN)	COLOR CODE
M2SS-1E-3400N	3400	1.10	3100	PINK/ DK. BLUE
M2SS-1E-4000	4000	1.11	3600	WHITE
M2SS-1E-4660N	4660	1.11	4200	WHITE/ RED
M2SS-1E-5150N	5150	1.11	4626	WHITE/ DK. PURPLE
M2SS-1E-5980N	5980	1.11	5364	WHITE/ DK. GREEN
M2SS-1E-6500N	6500	1.04	6250	WHITE/ GRAY



- NOTES:
- ALL DIMENSIONS ARE IN INCHES, INTERPRET PER ANSI Y14.
  - STANDARD FINISH: HOUSING - POWDER COAT OR PAINT (COLOR:BLACK), SPRING - POWDER COAT (COLOR: SEE TABLE), HARDWARE ZINC-ELECTROPLATE.
  - EQUIPMENT MUST BE BOLTED OR WELDED TO THE TOP PLATE TO MEET ALLOWABLE SEISMIC RATINGS.
  - ISOLATOR BASE PLATE MUST BE ANCHORED TO STEEL EITHER BY WELDING OR WITH MIN (4) 5/8 DIA A325 BOLTS, OR IT MUST BE ANCHORED TO CONCRETE WITH (4) 3/4 DIA HILTI "KWIK-BOLT TZ" WEDGE ANCHORS OR AS DIRECTED BY THE VMC GROUP.
  - ALL SPRINGS ARE DESIGNED FOR 50% OVERLOAD CAPACITY.
  - REFER TO FOLLOWING SHEET FOR INSTALLATION INSTRUCTIONS.

ISOLATOR SELECTIONS	
LOC 1:	LOC 2:
LOC 3:	LOC 4:
LOC 5:	LOC 6:
LOC 7:	LOC 8:
CUSTOMER EQPT. TAG:	

NOTE: MATERIAL SHOWN IS FOR (1) SET.

OTHER MATERIALS, COMPOUNDS, OR FINISHES WITH EQUAL OR SUPERIOR PROPERTIES MAY BE SUBSTITUTED AS THEY BECOME AVAILABLE.

MODEL M2SS-1E  
VIBRATION ISOLATOR  
WITH INTEGRAL SEISMIC RESTRAINT  
AND EXTERNAL ADJUSTMENT  
FOR 1" DEFLECTION



THE VMC GROUP  
The Power of Together  
Bloomingdale, NJ 07403  
Houston, TX 77041

SCALE:  
NONE  
SHEET:  
80 OF 91



DRAWING NO.:  
OPA-0553

REVISION